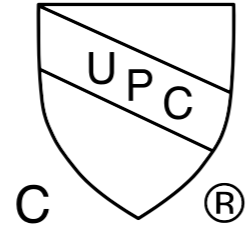


Symbol



SYMBOLSINK CO., LTD.

Factory Address:

Chao'an Town, Chaozhou, Guangdong, China

Cell / WhatsApp:

+86 153 5934 6137

E-mail:

office@symbolsink.com

Website:

www.sinkchina.com



2025

Porcelain Sink Catalog

INDEX

cUPC Certification

/01 Undermount Sink



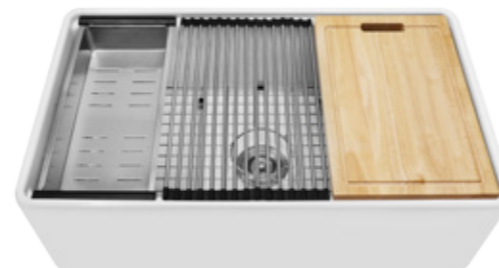
/03 Topmount Sink



/04 Vessel Sink



/05 Kitchen Sink



IAPMO RESEARCH AND TESTING, INC.
5001 E. Philadelphia Street, Ontario, CA 91761 • Phone (909) 472-4100 • Fax (909) 472-4244 • www.iapmo.org

ANAB
NATIONAL ASSOCIATION
ACCREDITED

IAPMO
R&T

UPC
CERTIFICATION

CERTIFICATE OF LISTING

Issued To: **SYMBOLSINK CO., LTD.**
8M 1762, SINO CENTRE 582-582 NATHAN RD MOWBOK HONG KONG, KOWLOON, CHINA

Product: **Ceramic Plumbing Fixtures**

File Number: 8500
Effective Date: October 2024
Void After: October 2029*

Products are in compliance with the following code(s):
Uniform Plumbing Code (UPC)
National Plumbing Code of Canada
National Standard Plumbing Code

Products are certified to the following standard(s):
ANSI A112.19.2.2014CSA B45.1-18

UPC
C

Tom Collins
General Product Certification Engineer

UPC
C

QW
Chief Technical Service Officer

This certificate is not evidence of current listing. To verify listing status, visit the IAPMO R&T Product Listing Directory at pl.iapmo.org.

Page 1 of 10

IAPMO RESEARCH AND TESTING, INC.
5001 E. Philadelphia Street, Ontario, CA 91761 • Phone (909) 472-4100 • Fax (909) 472-4244 • www.iapmo.org

CERTIFICATE OF LISTING

Issued To: **SYMBOLSINK CO., LTD.**
8M 1762, SINO CENTRE 582-582 NATHAN RD MOWBOK HONG KONG, KOWLOON, CHINA

Product: **Ceramic Plumbing Fixtures**

File Number: 8500
Effective Date: October 2024
Void After: October 2029*

This certificate is not evidence of current listing. To verify listing status, visit the IAPMO R&T Product Listing Directory at pl.iapmo.org.

Identification:
Ceramic Plumbing Fixtures shall be marked with the manufacturer's name or registered trademark, or in the case of private labeling, the name of the customer for whom the fixture was manufactured. Markings shall be permanent, legible, and visible after installation.

The model number of close-coupled water closets shall be marked on both the tank and the bowl.

Water closets and urinals shall be marked to identify the average water consumption, expressed in litres and gallons per flush. The litre or gallon value may be stated first, at the manufacturer's option.

Gravity flush tanks shall be marked with a water level mark or with the information necessary to determine the water level in the tank needed to deliver the intended flush volume. This mark shall be applied to the ceramic body of the tank, the tank liner, or the flush valve overflow tube. The vertical distance between the water level mark and the lowest point of the tank overflow channel shall not exceed 38 mm (1.5 in).

Water closet tanks shall have a label indicating at least the following:
(a) the telephone number or contact information of a service department from which and users can obtain replacement parts;
(b) the serial or part number of the flush valve seat; and
(c) information on procuring replacement parts for maintaining the original flush volume.

All packaging shall be marked with the manufacturer's name or registered trademark, or in case of private labeling, the name of the customer for whom the fixture was manufactured and the model number. Packaging for water closets and urinals shall be marked with the water consumption in gpf and lpf.

Each fixture shall be marked with the cUPC certification mark. In the case where the tank and the bowl are sold separately, both shall have the certification mark.

Fixtures that require proprietary (i.e., non-standard) components, e.g., supply fittings, waste fittings, or water closet seats, shall indicate, in the packaging or the accompanying literature, that such components are provided by the manufacturer and shall identify the proper replacement parts.

Fixtures that do not comply with one or more of the dimensional requirements of this Standard shall be marked with an "N" to indicate the non-standard nature of the fixture.

Characteristics:
Ceramic plumbing fixtures may include water closets, lavatories, urinals, bidets, service sinks and drinking fountains. To be installed in accordance with the manufacturer's instructions, the latest edition of the Uniform Plumbing Code, and the National Plumbing Code of Canada.

Products listed on this certificate have been tested by an IAPMO R&T recognized laboratory. This recognition has been granted based upon the laboratory's compliance to the applicable requirements of ISO/IEC 17025.

Page 7 of 10

IAPMO RESEARCH AND TESTING, INC.
5001 E. Philadelphia Street, Ontario, CA 91761 • Phone (909) 472-4100 • Fax (909) 472-4244 • www.iapmo.org

CERTIFICATE OF LISTING

Issued To: **SYMBOLSINK CO., LTD.**
8M 1762, SINO CENTRE 582-582 NATHAN RD MOWBOK HONG KONG, KOWLOON, CHINA

Product: **Ceramic Plumbing Fixtures**

File Number: 8500
Effective Date: October 2024
Void After: October 2029*

This certificate is not evidence of current listing. To verify listing status, visit the IAPMO R&T Product Listing Directory at pl.iapmo.org.

Models

Note 1: All the dimensions are exterior Dimensions.

Model Number	Description	Dimension
A246X	Kitchen Sink	
A246X	Kitchen Sink	
A301X	Kitchen Sink	
A302X	Kitchen Sink	
A318DX	Kitchen Sink	
N141X	Undermount Sink	
N151X	Undermount Sink	
N161X	Undermount Sink	
N171X	Undermount Sink	
N181X	Undermount Sink	
N191X	Undermount Sink	
N192X	Undermount Sink	
O181X	Topmount Sink	18 1/2" x 15 3/8" x 7"
O201X	Topmount Sink	21" x 18 1/8" x 6 1/2"
O211X	Topmount Sink	21 3/4" x 18" x 7 3/8"
O216X	Topmount Sink	22" x 18 1/4" x 9"
U131X	Undermount Sink	15 5/4" x 12 1/4" x 7 1/8"
U151DX	Undermount Sink	
U151X	Undermount Sink	18 5/8" x 13 5/8" x 7 3/8"
U161X	Undermount Sink	18 3/8" x 12" x 7"
U161X	Undermount Sink	18 5/8" x 15 1/2" x 7 1/2"
U171X	Undermount Sink	18 1/2" x 15 3/4" x 7 1/4"
U174X	Undermount Sink	18 1/2" x 16 1/4" x 8 1/8"
U181X	Undermount Sink	21 1/8" x 13 7/8" x 7"
U182X	Undermount Sink	20 5/8" x 14 3/4" x 8 1/8"
U183X	Undermount Sink	20 1/2" x 16 1/4" x 7 1/2"

Page 3 of 10

IAPMO RESEARCH AND TESTING, INC.
5001 E. Philadelphia Street, Ontario, CA 91761 • Phone (909) 472-4100 • Fax (909) 472-4244 • www.iapmo.org

CERTIFICATE OF LISTING

Issued To: **SYMBOLSINK CO., LTD.**
8M 1762, SINO CENTRE 582-582 NATHAN RD MOWBOK HONG KONG, KOWLOON, CHINA

Product: **Ceramic Plumbing Fixtures**

File Number: 8500
Effective Date: October 2024
Void After: October 2029*

This certificate is not evidence of current listing. To verify listing status, visit the IAPMO R&T Product Listing Directory at pl.iapmo.org.

Model Number	Description	Dimension
U191X	Undermount Sink	21" x 15 1/8" x 8 1/2"
U191X	Undermount Sink	21 7/8" x 18" x 9"
V181X	Vessel Sink	16 1/8" x 16 1/8" x 4 3/4"

X can be replace with the following colors

W	White
B	Black or Bone
BL	BLACK
GY	Grey

Page 4 of 10



Item No.
SS-U1813
Overall Size:
20 1/8" x 15" x 7 1/2"
Bowl Size:
18 1/8" x 13"



Item No.
SS-U1714
Overall Size:
19 3/8" x 15 3/4" x 8 1/8"
Bowl Size:
17 3/8" x 14 1/8"



Item No.
SS-U1813-ADA
Overall Size:
20 3/8" x 15" x 5 3/8"
Bowl Size:
18 1/4" x 12 3/4"



Item No.
SS-N1414
Overall Size:
15 3/4" x 15 3/4" x 6 3/4"
Bowl Size:
13 5/8" x 13 5/8"



Item No.
SS-U1611
Overall Size:
18 1/8" x 13" x 7 1/4"
Bowl Size:
16 1/8" x 11"



Item No.
SS-U1613
Overall Size:
18 1/8" x 15" x 7 3/4"
Bowl Size:
16 1/8" x 13"



Item No.
SS-U1611-ADA
Overall Size:
17 7/8" x 12 3/4" x 4 5/8"
Bowl Size:
16 1/8" x 10 7/8"



Item No.
SS-N1510
Overall Size:
17 3/8" x 12 3/8" x 6"
Bowl Size:
15 1/4" x 10 1/4"



Item No.
SS-U1811
Overall Size:
20 7/8" x 13 1/2" x 7 1/8"
Bowl Size:
18 5/8" x 11 1/4"



Item No.
SS-U1512A
Overall Size:
17 1/8" x 14 1/8" x 7 1/2"
Bowl Size:
15 1/8" x 12 1/8"



Item No.
SS-U1812-ADA
Overall Size:
20 5/8" x 14 5/8" x 5 3/8"
Bowl Size:
18 3/8" x 12 3/8"



Item No.
SS-U1713
Overall Size:
19 3/4" x 15 3/4" x 7 1/4"
Bowl Size:
17 1/2" x 13 1/2"



Item No.
SS-U1812
Overall Size:
20 5/8" x 14 5/8" x 8 1/8"
Bowl Size:
18 3/8" x 12 3/8"



Item No.
SS-U1310
Overall Size:
15" x 12 1/4" x 7 1/8"
Bowl Size:
13" x 10 1/4"



Item No.
SS-U1714-ADA
Overall Size:
19 1/4" x 16 1/8" x 5 3/8"
Bowl Size:
17 1/2" x 14 1/2"



Item No.
SS-N1714
Overall Size:
18 7/8" x 16" x 7"
Bowl Size:
17" x 14"



Item No.
SS-N1911
Overall Size:
21 5/8" x 13 5/8" x 6 7/8"
Bowl Size:
19 1/2" x 11 1/2"



Item No.
SS-O2118
Overall Size:
21 1/2" x 18 3/4" x 7 1/8"
Bowl Size:
16 3/4" x 11 3/4"



Item No.
SS-V1717
Overall Size:
16 1/2" x 16 1/2" x 5 7/8"



Item No.
SS-V1915
Overall Size:
18 7/8" x 15" x 5 1/8"



Item No.
SS-U1509
Overall Size:
16 7/8" x 11" x 7 1/2"
Bowl Size:
14 3/4" x 8 7/8"



Item No.
SS-O2018
Overall Size:
21" x 18 1/8" x 8 1/2"
Bowl Size:
16 3/4" x 11"



Item No.
SS-V2416A
Overall Size:
23 5/8" x 16" x 6 1/4"



Item No.
SS-V1616
Overall Size:
16 1/8" x 16 1/8" x 4 7/8"



Item No.
SS-U1610
Overall Size:
17 7/8" x 12 3/4" x 7 7/8"
Bowl Size:
15 3/4" x 10 3/8"



Item No.
SS-O2014A
Overall Size:
20 7/8" x 14 5/8" x 7 7/8"
Bowl Size:
17 7/8" x 11 3/4"



Item No.
SS-V2117
Overall Size:
21 1/4" x 16 1/2" x 5 7/8"



Item No.
SS-V1515A-MB
Overall Size:
14 5/8" x 14 5/8" x 5 1/8"



Item No.
SS-U2114
Overall Size:
24" x 16 1/2" x 8 1/2"
Bowl Size:
21 1/2" x 14"



Item No.
SS-O2014C
Overall Size:
20 5/8" x 14 3/4" x 6 1/8"
Bowl Size:
17 3/4" x 11 3/4"



Item No.
SS-VT3812
Overall Size:
37 5/8" x 12 3/8" x 3 7/8"



Item No.
SS-V1616E-MB
Overall Size:
15 3/4" x 15 3/4" x 5 7/8"

Flat Apron Series



Item No.
SS-KC3320B
Overall Size:
32 7/8" x 20 1/8" x 10"
Bowl Size:
31 1/2" x 18 1/4"



Item No.
SS-KC3318
Overall Size:
33" x 18" x 10"
Bowl Size:
31 5/8" x 16 5/8" x 9 1/4"



Item No.
SS-KC3018A
Overall Size:
30 1/8" x 18" x 10"
Bowl Size:
28 5/8" x 16 5/8" x 9 1/4"



Item No.
SS-KC2418B
Overall Size:
23 7/8" x 18" x 10"
Bowl Size:
22 3/8" x 16 5/8" x 9 1/4"

Curved Apron Series



Item No.
SS-KC3321
Overall Size:
32 1/2" x 20 3/4" x 10"
Bowl Size:
30" x 16 3/4" x 7 7/8"



Item No.
SS-KCD3321
Overall Size:
32 1/2" x 20 3/4" x 10"
Bowl Size:
16 3/4" x 16 3/4" x 8 7/8"
12" x 16 3/4" x 8 7/8"



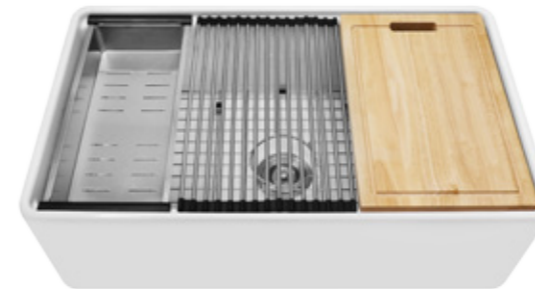
Item No.
SS-KC3021
Overall Size:
29 3/4" x 20 3/4" x 10"
Bowl Size:
27 1/4" x 17 1/4" x 7 7/8"



Item No.
SS-KC2419
Overall Size:
23 7/8" x 18 7/8" x 10"
Bowl Size:
21 1/4" x 15 1/2" x 7 7/8"

Workstation Series

Item No.
SS-KC3320A (With full set of accessories)
Overall Size: 32 3/4" x 19 3/4" x 10"
Bowl Size: 31 3/8" x 18 1/4" x 9 1/4"



Item No.
SS-KCD3320A (With full set of accessories)
Overall Size: 32 3/4" x 19 3/4" x 10"
Bowl Size: 18 1/4" x 16 3/4" x 9 1/4"



Item No.
SS-KC3319 (With full set of accessories)
Overall Size: 32 3/4" x 19" x 10"
Bowl Size: 29 3/4" x 16" x 9 1/4"



Item No.
SS-KC3321A (With full set of accessories)
Overall Size: 32 3/4" x 20 3/4" x 10"
Bowl Size: 29 5/8" x 16" x 9 1/4"



Fluted Apron Series



Item No. **SS-KCD3318A**
Overall Size:
 32 7/8" x 18 1/8" x 10"
Bowl Size:
 18 1/8" x 16 1/2" x 9"



Item No. **SS-KC3018B**
Overall Size:
 29 7/8" x 18 1/8" x 10"
Bowl Size:
 28 1/2" x 16 5/8"



Item No. **SS-KC2416A**
Overall Size:
 23 7/8" x 16" x 7 7/8"
Bowl Size:
 22" x 14 1/8"

Undermount & Others




Item No. **SS-KC2318**
Overall Size:
 23 5/8" x 18 1/2" x 10"
Bowl Size:
 21" x 16" x 7 7/8"



Item No. **SS-KC2116**
Overall Size:
 21 1/4" x 16 1/4" x 18 1/2"
Bowl Size:
 18 1/4" x 12 1/4" x 9 1/2"

Accessories



Bottom Grid



Roll-up Dry Rack



Cutting Board



Colander



Pop-up Strainer



Strainer



Strainer



Clips

Packing



1Pc Per Carton



3Pcs Per Carton



Bulk Packaging (Without Pallet)



Nested On Pallets

Factory



140 Workers
240,000 Sq Ft
2,000,000 Sinks Per Year
40+ Containers to USA Per Month